

# HANDLER



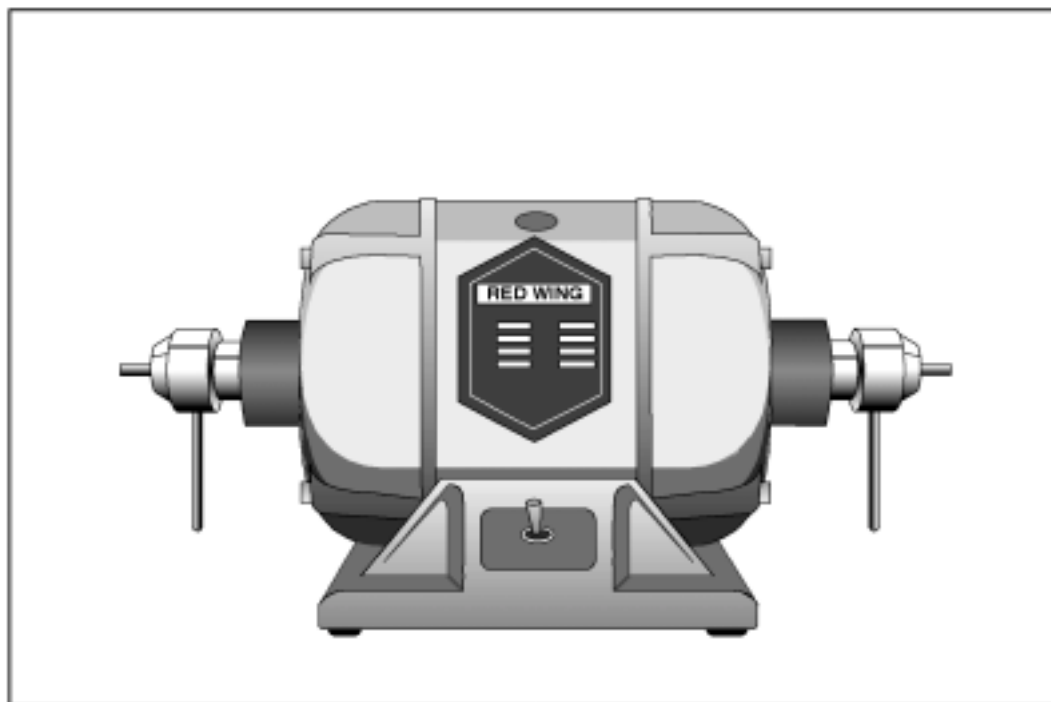
---

## 26A RED WING LATHE

---

OPERATING MANUAL

**IMPORTANT INSTRUCTIONS  
DO NOT DISCARD**



**HANDLER**   
MANUFACTURING CO., INC.

OVER EIGHTY YEARS OF QUALITY MANUFACTURING AND SERVICE...

612 NORTH AVENUE EAST, WESTFIELD, N.J. 07090

Ph: (908) 233-7796 Fax: (908) 233-7340 • 800-27-HANDL • E-Mail: info@handlermfg.com • web site: www.handlermfg.com

017-0054

## RED WING MOTOR

Thank you for purchasing a Red Wing Motor. Your Red Wing has been inspected prior to being shipped. Open the package and inspect its contents. Should damage have occurred in transit, contact the freight forwarder immediately. Do not contact Handler as the receiver of a product must file a claim for damage within 14 days. Failure to file a claim in a timely manner could result in the loss of your rights of recovery. Should you require assistance, please contact Handler Manufacturing at: 1-908-233-7796 or 1-800-274-2635

### INSTRUCTIONS:

Remove the lathe from the carton and place it in a suitable location on a sturdy horizontal surface. The unit must be bolted to the table top. Bolting the unit securely to a solid table top will prevent possible lathe movement during operation and possible operator injury.

Plug the lathe's cordset into a grounded 115 Volt/60 Hz electrical socket only. Do not utilize a 3-2 prong adaptor. Failure to plug the lathe into a properly grounded receptacle may result in operator injury. Your lathe is now ready for operation with the aid of chucks placed on the shaft (see page 2).

The No. 26, 26A, 28L, and 28H lathes are constructed to function on two speeds. Low speed is 1725 RPM and high speed is 3450 RPM. The lathe shaft is provided with special dental tapered shafts which will accept chucks which fit onto a tapered shaft only. The models 27, 29, & 29A are built to function at 3450 RPM. NOTE: If you have specified that your lathe should contain 1/2" straight shafts, only chucks which contain a 1/2" arbor hole will adapt to these shafts.

The polishing motor with a tapered shaft is provided with a left and right chuck remover (see figure No. 1). By pulling upward toward the front of the lathe, the chuck remover will unscrew outward to "push" the chuck from the tapered shaft. Various types of chucks and chuck accessories are utilized to perform different types of grinding and polishing operations with your lathe. These are attached to your lathe's shaft via a friction fit.

To place a chuck onto the shaft of your lathe, please follow these instructions:

1. Make certain both the lathe shaft and the arbor hole of the chuck to be placed on the shaft are clean of any dust and debris. Be certain the chuck remover on each side is in place.

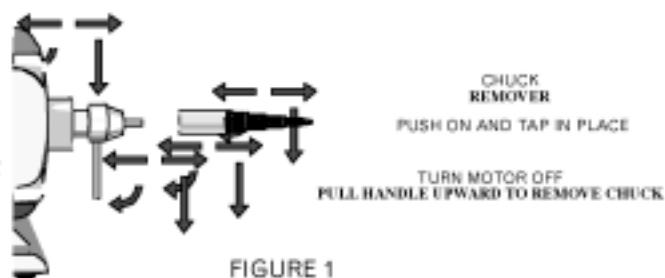
2. With the lathe turned "OFF," place the chuck onto the right or left shaft of your lathe. Make certain the chuck is properly labeled "R" for the right shaft or "L" for the left shaft of the lathe. DO NOT place a chuck labeled "R" or "L" on the opposite shaft.

3. Push the chuck onto the shaft as far as it will go. Since the chucks fit onto tapered shafts via friction fit, make certain the chuck is placed securely on the lathe shaft. It may be necessary to tap the end of the chuck onto the lathe shaft with the aid of a soft rubber, plastic, or leather mallet. Do not use a metal hammer or mallet as this will damage the chuck.

4. After the chuck has been placed securely on the lathe shaft, place the buff, brush, abrasive wheel, bur, or mandrel onto the chuck. Secure this in place as per the manufacturers suggestions.

5. Turn the lathe on and make certain the accessory which has been placed on the lathe chuck is securely in position. If either the chuck or accessory have not been secured to the lathe shaft, secure it now.

NOTE: Many Red Wing polishing motors are shipped with 1/2" straight shafts. Chucks used on Red Wing Polishing motors equipped with a 1/2" straight shaft utilize a set screw to hold the chuck in position. Make certain to tighten this securely.



## PROTECTION - IMPORTANT

1. Never attempt to use a polishing motor without proper instruction.
2. Never use a polishing motor unless the motor has been fitted with polishing (splash)hoods or a similar protective device containing a protective shield.
3. Always use a dust collector when performing polishing or grinding operations.
4. Read and follow all instructions contained in this manual regarding "tool safety."  
Handler manufactures a full line of Chucks, Splash Hoods, Dust Collectors, and Protective Shields. Contact us at the address below to request a Handler Catalogue.

## CHUCK REMOVAL

After finishing and completing a polishing or grinding operation, you may wish to remove the chuck accessory and change to another type of chuck or accessory. This is completed as follow:

1. Turn the lathe off and allow the shaft to come to a complete stop.
2. Using the chuck remover located on the left or right side of the lathe, pull upward on the remover's handle. This will push the remover outward, and push the chuck from the lathe shaft, (See Figure 1. Page 1).

A few chucks may require the chuck remover to be rotated 360° before the chuck accessory is removed. Chucks fitted to polishing motors containing a 1/2" shaft are removed by loosening the set screw which holds it in position.

3. To place another chuck onto the lathe shaft, follow the procedure listed on this page.

## CARE AND MAINTENANCE

Your Red Wing polishing motor has been fitted with ball bearings. No further lubrication is necessary during the life of your motor. Occasionally remove the motor's cordset from its electrical source and wipe the unit clean with a clean, soft cloth. DO NOT use abrasive or liquid cleaners. Read, fully, the safety instructions contained on page 6.

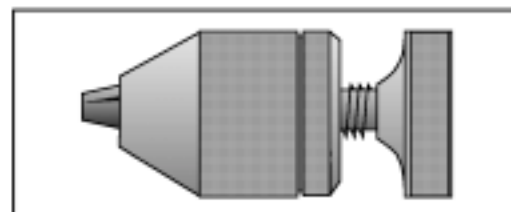
## ACCESSORIES

Handler manufactures a full line of Chucks, Protective Hoods, Shields, and Dust Collectors for use with your Red Wing motor. Handler chucks are precision manufactured to fit onto your Red Wing motor. A few of these are described below.

The No. 7 L or R chuck is made to accommodate buffing wheels and brushes for polishing acrylic dentures, plastics, and metals. The threads contained on the tapered portion of the chuck's frontal surface secure the buff or brush in position.



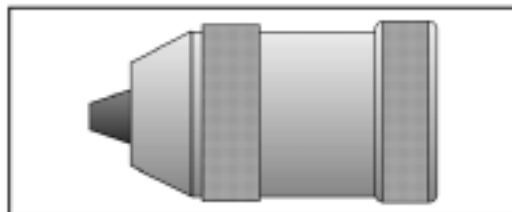
Handler 8T Jacobs type chucks are made to accommodate from 3/32" to 1/4" burs and mandrels. It is manufactured for gross finishing.



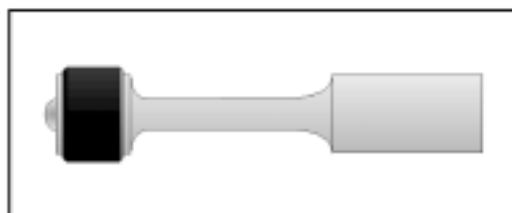
# HANDLER

MANUFACTURING COMPANY, INC.

Handler's No. 18 Atlas Jacobs type chuck is precision ground to provide excellent concentricity and durability. This chuck will accommodate burs and mandrels from 0" to 1/4" in diameter.



Our No. 9 Arbor band chuck is built to accept 3/4" x 3/4" abrasive bands. These are used for gross finishing of plastics or metals.



Handler's No. 1-6 stone chucks are built to accept abrasive stones and lathe wheels with 5/16", 3/8", and 1/4", arbor mountings for the right and left side.

- 1 - 3/8" R    4 - 5/16" L
- 2 - 3/8" L    5 - 1/4" R
- 3 - 5/16" R    6 - 1/4" L



**NOTE:** Specify a No. 20 L or R chuck for a polishing motor with a straight 1/2" shaft.

Handler has designed and built a full line of automatic chucks which will adapt to your Red Wing or other polishing motors. Handler's automatic chucks are durable and built to save processing time and money.

## 16 Chuk/Changer

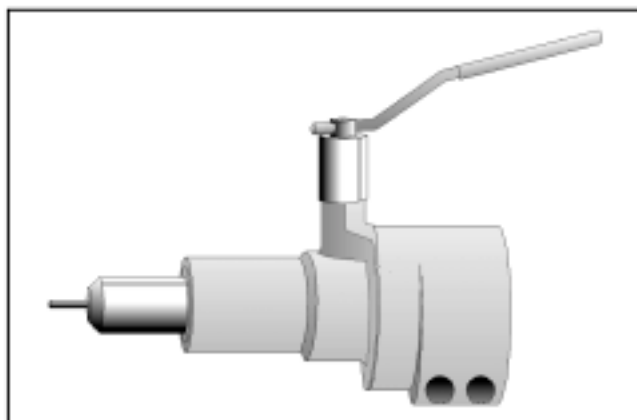
The Handler Chuk/Changer was designed to provide full automatic, precision changing of 1/4" and 3/32" diameter burs, mandrels and chuck accessories with the slight movement of a handle while the motor is turning.

The Chuk/Changer provides the technician with exacting concentricity and quick, easy changing of various chucks which greatly speeds grinding, polishing and finishing procedures. The No.16 Chuk/Changer is adaptable to most types of dental motors, including older models e.g. R & M, Ritter, Baldor, Emesco and Red Wing. The No.16 is shipped complete with chuck accessories as follows. . .

- P-16-15 Arbor Band Chuck.....Qty - 1
- P-16-16 Spiral Tapered Chuck.....Qty - 1
- P-16-19 Stone Chucks.....Qty - 2
- P-16-20 Mandrels for small abrasive wheels.....Qty - 2
- P-16-8 Collet Wrench.....Qty - 1
- P-16-10 Clutch.....Qty - 1
- P16-ADW Adapter.....Qty - 1

**NOTE:** Specify make, model and catalogue number of lathe when ordering.

16L Chuk/Changer is for use on left side of motor.



# HANDLER

MANUFACTURING COMPANY, INC.

Handler has designed and built a full line of automatic chucks which will adapt to your Red Wing or other polishing motors. Handler's automatic chucks are durable and built to save processing time and money.

## PROTECTIVE SHIELDS AND HOODS

Polishing and Grinding must be completed with the addition of a protective hood with shield or a protective shield. Handler manufactures a full line of protective hoods and shields to protect the technician from possible flying dusts and debris. Below are three examples of the various types available.

The 86D hood with shield provides adjustable protection for the technician. Constructed of ever-brite aluminum, it contains an adjustable 6" x 9" clear acrylic shield to help protect the polisher. Hoods are available in 6" x 8" and 10" widths.

The Protector was designed to provide protection from possible flying debris. Constructed of 3/8" clear acrylic, the protector offers excellent protection for lathe and handpiece grinding.

Protect yourself from UNIDENTIFIED FLYING OBJECTS. The New #26SHLD shield from Handler mounts directly to your Lathe. Made of 8" x 6" x 1/8" clear Polycarbonate, fully adjustable, replaceable shield, helps comply with OSHA requirements. Comes with all mounting hardware. Contact your dealer or Handler.

Handler manufactures a full line of protective hoods, shields, and dust collectors. To obtain a Handler catalogue illustrating our hoods, shields, and dust collectors, contact us at the address below, or call 1-800-27Handl (1-800-274-2635).



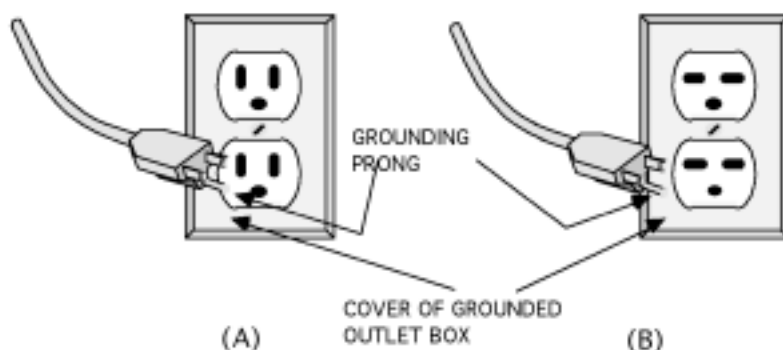
**550 PORTA-VAC  
HOOD W/ BUILT  
IN DUST COLLECTOR**

## SAFETY INSTRUCTIONS

### I. GROUNDING INSTRUCTIONS

This tool should be grounded while in use to protect the operator from electric shock. The tool is equipped with an approved three-conductor cord and three-prong grounding type plug to fit the proper grounding type receptacle. The green (or green and yellow) conductor in the cord is the grounding wire. Never connect the green (or green and yellow) wire to a live terminal. If your unit is for use on less than 150 volts, it has a plug that looks like that shown in sketch (A) in Figure 1. If it is for use on 150 to 250 volts, it has a plug that looks like that shown in sketch (B). Use of an extension cords or a 2 prong adapter is not recommended.

FIGURE 1  
GROUNDING METHODS



### TOOL SAFETY INSTRUCTIONS

#### 1. Keep Work Area Clean

Cluttered areas and benches invite accidents.

#### 2. Avoid Dangerous Equipment

Don't expose power tools to rain. Don't use power tools in damp or wet locations. Keep work area well lit.

#### 3. Keep Children Away

All visitors should be kept safe distance from work area and appliance.

#### 4. Store Idle Tools

When not in use, tools should be stored in dry, high, and locked location out of the reach of children.

#### 5. Don't Force Tool

It will do the job better and be safe at the rate for which it was designed.

#### 6. Use Right Tool

Don't force small tool or attachment to do the job of a heavy-duty tool.

#### 7. Wear Proper Apparel

Do not wear loose clothing or jewelry which may get caught in moving parts. Tie back long hair or use a proper hair net.

#### 8. Use Safety Glasses

Use safety glasses with all rotating tools. Also use a face or dust mask if cutting operation is dusty.

#### 9. Don't Abuse Cord

Never carry tool by cord or yank it to disconnect from receptacle. Keep cord from heat, oil, and sharp edges.

#### 10. Secure Work

Use clamps or a vise to hold work. It's safer than using your hand and it frees both hands to operate tool.

#### 11. Don't Overreach

Keep proper footing and balance at all times.

#### 12. Maintain Tools with Care

Keep tools sharp and clean for best and safest performance. Follow instructions for lubricating and changing accessories.

#### 13. Disconnect Tools

When not in use; before servicing; when changing accessories such as blades, bits, cutters, etc.

#### 14. Avoid Accidental Starting

Be sure switch is OFF when plugging in.

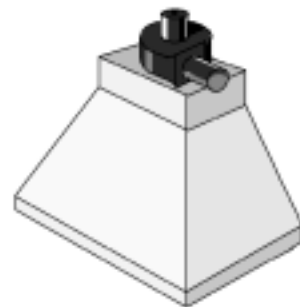
**Don't Forget Handler's Other Fine Lab Products.**



TECH-AIRE CHAIR



RED WING LATHES & MOTORS



STD. & SPECIAL FUME HOODS



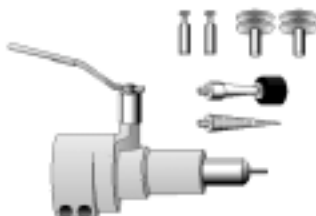
ATLAS PRECISION CHUCK



FISHMOUTHS



SYNCRQ/TORQUE II  
ELECTRONIC HANDPIECE



CHUK/CHANGER FULLY AUTOMATIC



ADJUSTABLE ARM &  
MAGNIFYING LAMPS

**HANDLER** *Over Eighty Years of Quality Manufacturing and Service...*

**FAX OR E-MAIL TODAY**

Handler Manufacturing Co., Inc.  
612 North Avenue East  
Westfield, NJ 07090

Phone: (908) 233-7796 Fax: (908) 233-7340  
800-27-HANDL E-Mail: HANDENT@aol.com



PLEASE SEND ME MORE INFORMATION ON HANDLER PRODUCTS TO:

NAME \_\_\_\_\_

ADDRESS \_\_\_\_\_

CITY \_\_\_\_\_ STATE \_\_\_\_\_ ZIP \_\_\_\_\_

COMMENTS \_\_\_\_\_

\_\_\_\_\_

# IMPORTANT NOTICE

1. Our terms of sale are F.O.B. our plant. Handler makes every effort to insure the proper delivery of goods, but we cannot guarantee the carrier's performance. Each product is tested and inspected for proper performance prior to leaving our facility. The responsibility for damage in transit is the carrier's, whether it is visible damage or concealed damage
2. Inspect this shipment **IMMEDIATELY**. Insist that visible damage or possible damage be written on the Delivery Receipt by the receiver.
3. Inspect the contents of your shipment within 24 hours of receipt. Using your copy of our packing list, check for piece count and accuracy immediately to insure proper billing.
4. If damage is discovered, save all crates, cartons and packaging material until an inspection has been made by an agent of the carrier.
5. In case of damage, notify the delivering carrier **IMMEDIATELY** requesting that an inspection be made. Retain a copy of the inspection request for claim purposes. Failure to notify the freight carrier immediately will result in the loss of your rights to claim damage.
6. We have taken every precaution to insure safe arrival of your products. We cannot be responsible for negligence by another party.
7. The receiver of the goods must make claims for incorrectly shipped goods to the shipper within 15 days of receipt of delivery.

## RETURNING GOODS

1. Do not return merchandise without our authorization. You must call first for a return authorization number.
2. We will not accept returned merchandise from the carrier unless our authorization **NUMBER** has been issued, and is clearly marked on the outside of the carton.
3. We will not accept goods (i.e. dust collectors) that are not cleaned and free of dust and debris. The merchandise will be shipped back.



# WARRANTY

This **HANDLER** product is warranted to be free from defects in material and workmanship, when used under the conditions recommended by the manufacturer, and / or the purpose for which the product was intended, for a period of 24 months from the date of shipment from factory to job site of original owner. Products purchased from distributor warehouse stock are warranted for a period of 24 months from date of shipment from the manufacturer's warehouse.

In all cases, the full name and address of the distributor must be supplied, along with the name of the customer, product name and number, and serial number. A copy of the original invoice, showing date of purchase must accompany the warranty repair request.

This warranty will apply to equipment installed, operated and maintained in accordance with **HANDLER** procedures and recommendations.

During the life of this warranty, **HANDLER** will repair or replace (At **HANDLER'S** option) free of charge, F.O.B. its plant, any defective part or assembly, if such defect occurred in normal service and was not due to apparent misuse, abuse, or accident.

Any warranty service performed in the field must be authorized by **HANDLER MFG.** Unauthorized service voids the warranty and any resulting charge will not be paid by **HANDLER MFG.**

**HANDLER MFG.** makes no other warranties or guarantees, expressed or implied. The merchantability of the components is expressly excluded. The manufacturer assumes no liability for indirect or consequential damages.

-----  
Detach and mail back

Customer Name \_\_\_\_\_

Address \_\_\_\_\_

City \_\_\_\_\_ State \_\_\_\_\_ Zip \_\_\_\_\_

Model # \_\_\_\_\_ Serial # \_\_\_\_\_

Distributor \_\_\_\_\_

Address \_\_\_\_\_

Return to **HANDLER**

# PACKING LIST

# CAUTION!

## Unpack Accessories From Unit BEFORE Connecting And Operating

### FOR YOUR PROTECTION EXAMINE THE GOODS

Our liability on shipments ceases when we obtain from the Trucking or Railroad Company a Bill of Lading, or from the Express Company an Express Receipt, showing the same received by them in good order. For your own protection, we respectfully call your attention to the fact that on: —

**FREIGHT SHIPMENTS (Rail or Truck):** — You should carefully check all shipments on arrival, making comparison with the paid freight receipts which you receive from them, before you take them from the transportation company, and if you find any packages or articles short or damaged, have the agent make notation of the fact on this freight receipt, and then make a claim immediately upon them for the amount of such losses or damages.

#### CARRIER RULES CALL FOR CLAIMS TO BE MADE WITHIN 14 DAYS

**EXPRESS SHIPMENTS OR UNITED PARCEL SERVICE SHIPMENTS:** — Check shipment carefully, comparing same with receipt which Express Company tenders for your signature. If any shortage or damage is apparent, make an exception on the Express Company's Delivery Receipt, which the Express Company retains, and demand at the same time from the Express Driver or Agent, a notation covering the shortage or damage. Then place a claim at once with the Express Company.

**CONCEALED DAMAGE:** — Should the damage not be discovered until after the goods are unpacked, it should be reported AT ONCE to the Freight Agent, or in the case of Express shipments, to the Express Agent, who will make an inspection and grant a "concealed damage" notation.

All shipments made by this Company, unless we have made quotation otherwise, are F.O.B. point of shipment, and we are in no way responsible for delivery of the goods by the carrier.

We will, however, assist our customer in collecting claims against the transportation company for loss or damage to shipments, if you will demand and receive an acknowledgment from the said transportation company of this loss or damage, **otherwise we will not be able to assist you.**

**GOODS RETURNED WITHOUT PERMISSION WILL NOT BE ACCEPTED FOR CREDIT**



HANDLER  
MFG. COMPANY, INC.  
612 NORTH AVENUE EAST  
WESTFIELD, NEW JERSEY 07090

908-233-7796